

## SPECIFICATION

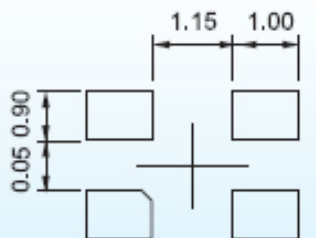
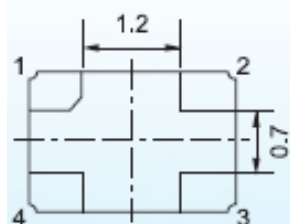
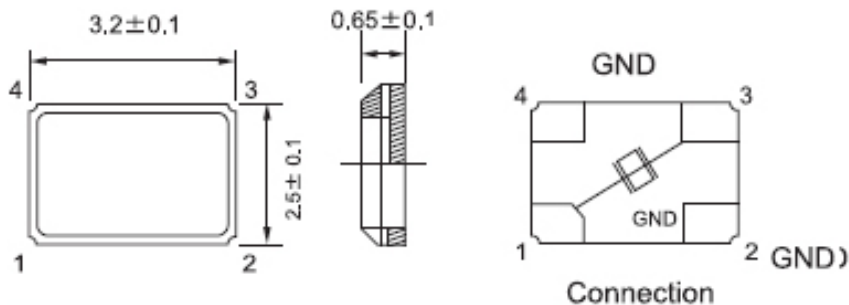
FREQUENCY RANGE	12-40 MHz
FREQUENCY TOLERANCE(at 25 )	±10PPM,±30PPM, or specify
FREQUENCY STABILITY OVER OPERATING TEMPERATURE RANGE	±10PPM,±30PPM, or specify
OPERATING TEMPERATURE RANGE	-10-+60 , -20-+70 ,or specify
SHUNT CAPACITANCE(C0)	5PF Max
DRIVE LEVEL	1-50 μ W (10 μ W typical)
LOAD CAPACITANCE	10PF or special
AGEING(at 25 )	±3ppm/year Max.
STORAGE TEMPERATURE RANGE	-40-+85

## Equivalent Series Resistance(ESR)

Fundamental	
10-40MHz	60 Max

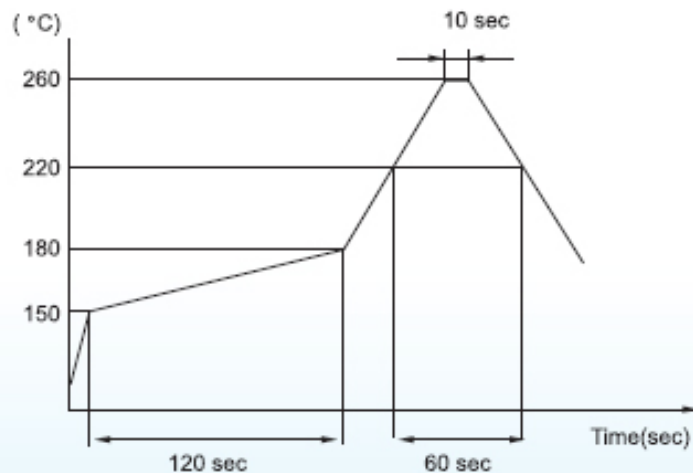
## · DIMENSIONS(unit:mm)

### SK-3M



Suggested Layout

## · RELOW CONDITION



Solder melting point : 220 °C

Total time : 200 sec,Max,