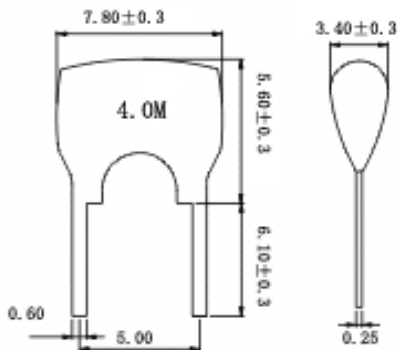


## SPECIFICATION

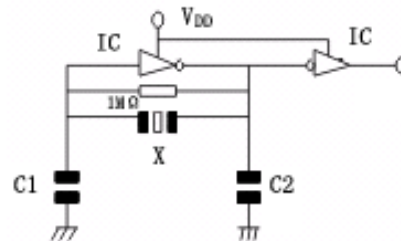
PART NUMBER	FREQUENCY RANGE (MHz)	FREQUENCY ACCURACY (25 °C)(%)	STABILITY IN TEMP (-20~+80 °C)(%)	OPERATING TEMP( °C)	AGING FOR TEN YEARS.( °C)
ZTA XXX MG	1.8-6.00	±0.5	±0.3	-20 - +80	±0.3
ZTA XXX MT	6.01-13.00	±0.5	±0.3	-20 - +80	±0.3
ZTA XXX MX	13.01-50.00	±0.5	±0.3	-20 - +80	±0.3

## DIMENSIONS(unit:mm)

### ZTA-2PIN



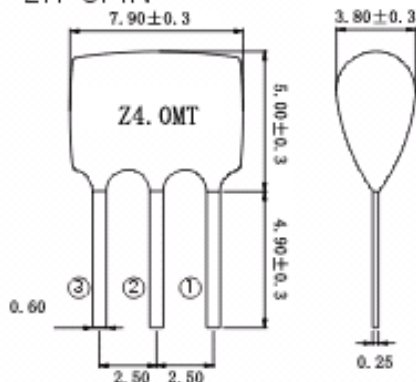
TEST CIRCUIT FOR MOS IC  
 I/C (MG,MT): 1/6 TC4069UBPx2  
 (MX) : 1/6 TC74HCU04x2  
 X: Ceramic Resonator  
 C1C2:  
 (MG,MT): 30PF  
 (MX) : 30PF(13.01-19.99MHz)  
 15PF(20.00-25.99MHz)  
 5PF(26.00-50.00MHz)  
 VDD (MG,MT): +5V  
 (MX): +12V  
 MARKING:  
 4.0M: Frequency



PART NUMBER	FREQUENCY RANGE (MHz)	FREQUENCY ACCURACY (25 °C)(%)	STABILITY IN TEMP (-20~+80 °C)(%)	OPERATING TEMP( °C)	AGING FOR TEN YEARS.( °C)
ZTT XXX MG	1.8-6.00	±0.5	±0.3	-20 - +80	±0.3
ZTT XXX MT	6.01-13.00	±0.5	±0.3	-20 - +80	±0.3
ZTT XXX MX	13.01-50.00	±0.5	±0.3	-20 - +80	±0.3

## DIMENSIONS(unit:mm)

### ZTT-3PIN



TEST CIRCUIT FOR MOS IC  
 I/C (MG,MT): 1/6 TC4069UBPx2  
 (MX) : 1/6 TC74HCU04x2  
 X: Ceramic Resonator  
 VDD (MG,MT): +5V  
 (MX): +12V  
 MARKING:  
 4.0M: Frequency

1. input
2. Ground
3. Output

