

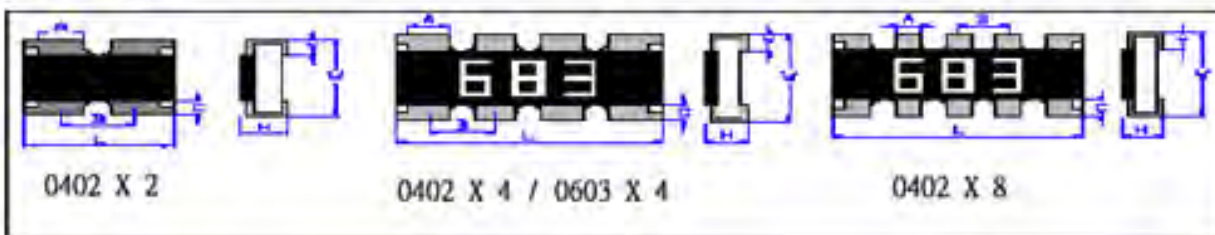
## SPECIFICATION

REQUIREMENTS	CHARACTERISTICS	TEST METHOD
Short time Over-load	$\pm(2\%+0.05\Omega)$	Rated Voltage $\times 2.5, 5$ seconds
Soldering Heat	$\pm(1\%+0.05\Omega)$	$260\pm 5^{\circ}\text{C}, 10\pm 1$ seconds
Temperature Cycling	$\pm(1\%+0.05\Omega)$	$125^{\circ}\text{C}$ (30min) $\rightarrow$ normal(15min) $\rightarrow -30^{\circ}\text{C}$ (30min) normal(15min), 5cycles
Moisture Load-Life	$\pm(2\%+0.05\Omega)$	Rated Voltage, $40^{\circ}\pm 2^{\circ}\text{C}$ , 90~95%RH, $1000^{+48}$ Hrs
Load-Life	$\pm(3\%+0.1\Omega)$	Rated Voltage, $70^{\circ}\pm 3^{\circ}\text{C}$ , $1000^{+48}$ Hrs

## RATINGS

TYPE	POWER RATING AT $70^{\circ}\text{C}$	RATE CURRENT OF JUMPER(A)	MAX WORKING VOLTAGE(VW)	MAX OVER LOAD VOLTAGE(V0)	TCR (PPM/ $^{\circ}\text{C}$ )	RESISTANCE TOLERANCE (%)	RESISTANCE RANGE ( $\Omega$ )	OPERATING TEMPERATURE ( $^{\circ}\text{C}$ )
0402*2	1/16W	1A	25V	50V	$\pm 200$	Jumper	50m 以下	$-55^{\circ}\text{C}$ $\sim +125^{\circ}\text{C}$
						5%	10 $\Omega$ ~1M	
0402*4	1/16W	1A	25V	50V	$\pm 200$	Jumper	50m 以下	$-55^{\circ}\text{C}$ $\sim +125^{\circ}\text{C}$
						5%	10 $\Omega$ ~1M	
0402*8	1/32W	0.5A	25V	50V	$\pm 200$	Jumper	50m 以下	$-55^{\circ}\text{C}$ $\sim +125^{\circ}\text{C}$
						5%	10 $\Omega$ ~560K	
0603*4	1/16W	1A	50V	100V	$\pm 200$	Jumper	50m 以下	$-55^{\circ}\text{C}$ $\sim +125^{\circ}\text{C}$
						5%	10 $\Omega$ ~1M	

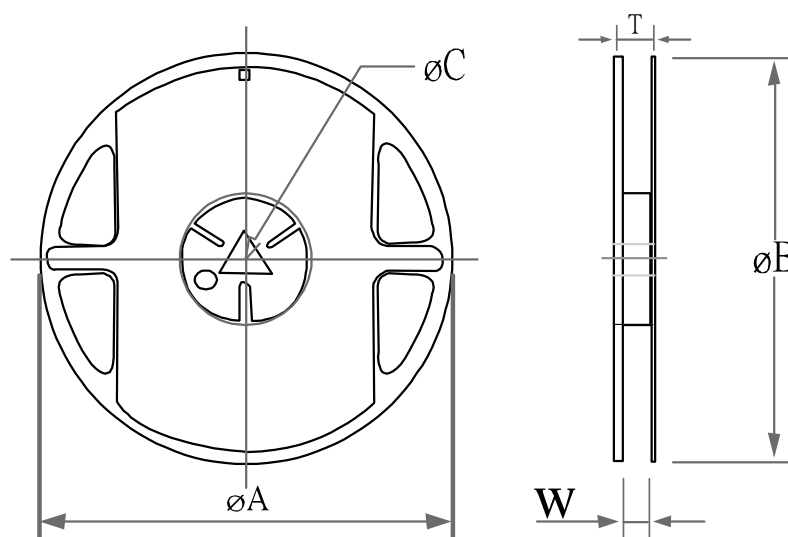
# Outline



## Dimension

Type	L(mm)	W(mm)	H(mm)	A(mm)	B(mm)	C(mm)	Y(mm)
0402×2	1.00±0.1	1.00±0.1	0.35±0.1	0.25±0.1	0.65±0.05	0.2±0.1	0.25±0.1
0402×4	2.00±0.1	1.00±0.1	0.45±0.1	0.3±0.1	0.5±0.05	0.22±0.15	0.22±0.15
0402×8	3.2±0.15	1.6±0.15	0.55±0.1	0.5±0.15	0.8±0.05	0.3±0.15	0.3±0.15
0603×4	3.2±0.15	1.6±0.15	0.55±0.15	0.35±0.1	0.64±0.05	0.4±0.15	0.4±0.15

## Real Specification

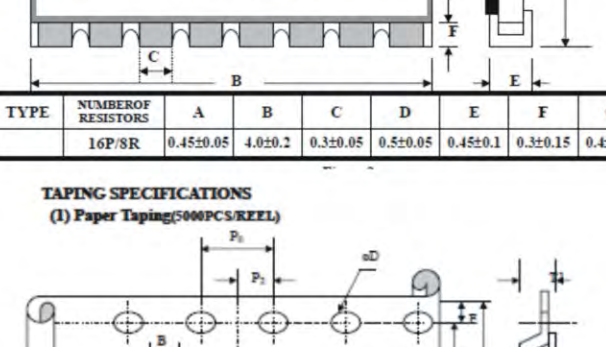
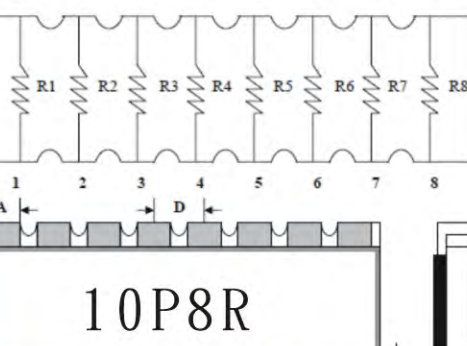


## Unit : mm

Style	Packing	Tape width	Reel Diameter	ψA	ψB	ψC	W	T
0402×2 0402×4	Paper	8mm	7 inch	180 <sup>+0</sup> / <sub>-3</sub>	60 <sup>+0</sup> / <sub>-0</sub>	13.0±0.2	9.0±0.3	11.4±1
0402×8 0603×4			10 inch	254±1	100±1	13.0±0.2	9.5±0.5	13.5±1

**DIMENSIONS (16Pin/8R)**

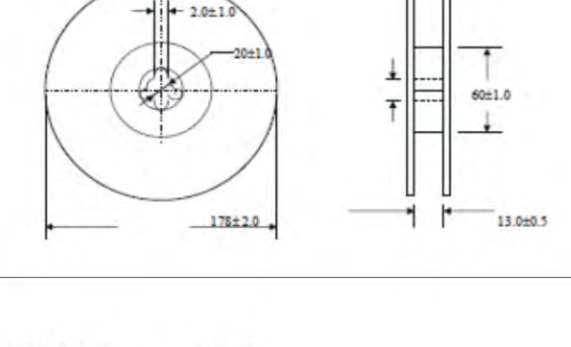
R1=R2=R3=R4=R5=R6=R7=R8



TYPE	NUMBER OF RESISTORS	A	B	C	D	E	F	G	H
	16P/8R	0.45±0.05	4.0±0.2	0.3±0.05	0.5±0.05	0.45±0.1	0.3±0.15	0.4±0.15	1.6±0.15

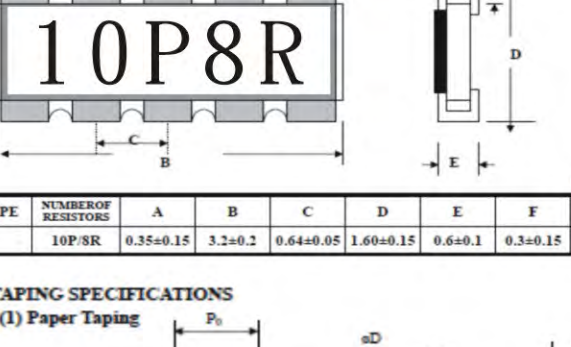
**TAPING SPECIFICATIONS**

**(1) Paper Taping (5000PCS/REEL)**



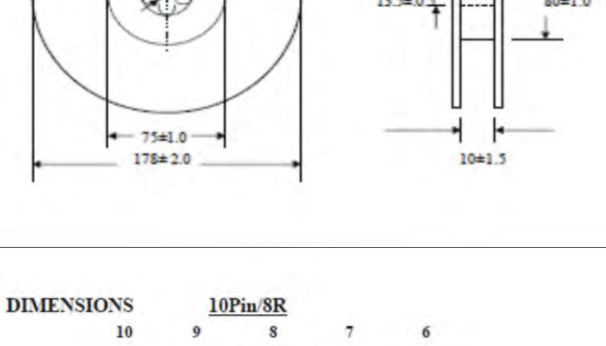
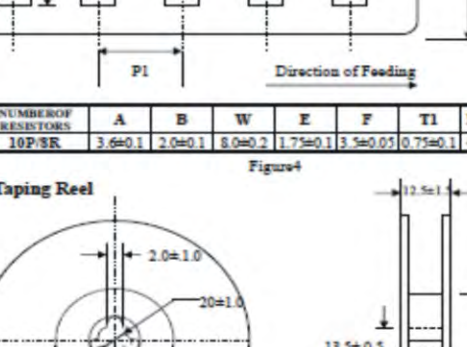
TYPE	NUMBER OF RESISTORS	A	B	W	E	F	T1	P1, P2	P3	D
	16P/8R	4.4±0.2	1.8±0.2	1.2±0.3	1.75±0.1	3.5±0.05	1.0±0.1	4.0±0.1	2.0±0.05	1.5±0.1

**(2) Taping Reel**



**DIMENSIONS (10Pin/8R)**

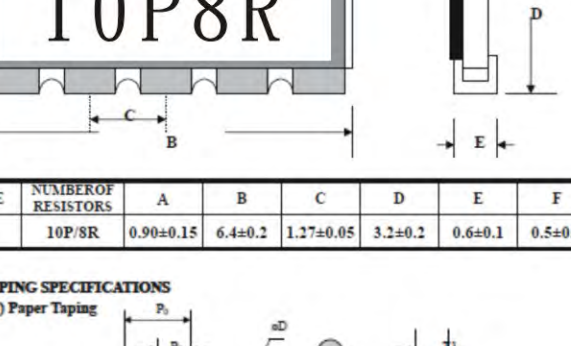
R1=R2=R3=R4=R5=R6=R7=R8



TYPE	NUMBER OF RESISTORS	A	B	C	D	E	F	G
	10P/8R	0.35±0.15	3.2±0.2	0.64±0.05	1.60±0.15	0.6±0.1	0.3±0.15	0.35±0.15

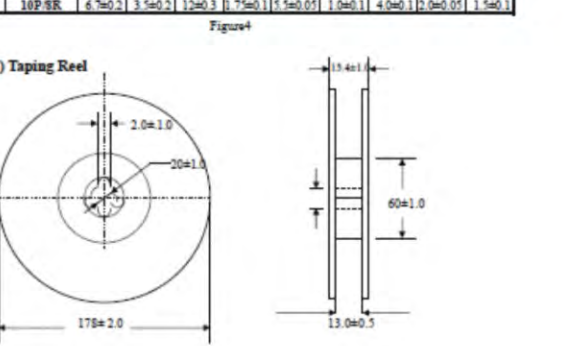
**TAPING SPECIFICATIONS**

**(1) Paper Taping**



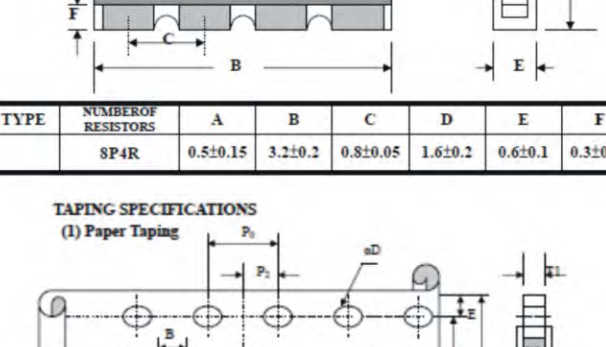
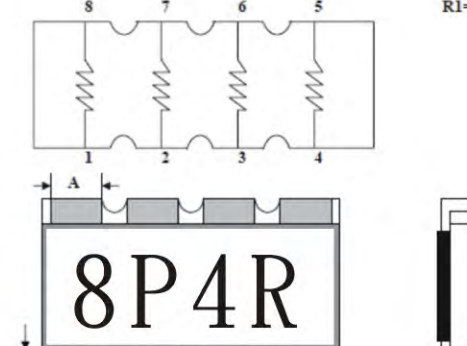
TYPE	NUMBER OF RESISTORS	A	B	W	E	F	T1	P1, P2	P3	D
	10P/8R	3.6±0.1	2.0±0.1	8.0±0.2	1.7±0.1	3.5±0.05	0.7±0.1	4.0±0.1	2.0±0.05	1.5±0.1

**(2) Taping Reel**



**DIMENSIONS (10Pin/8R)**

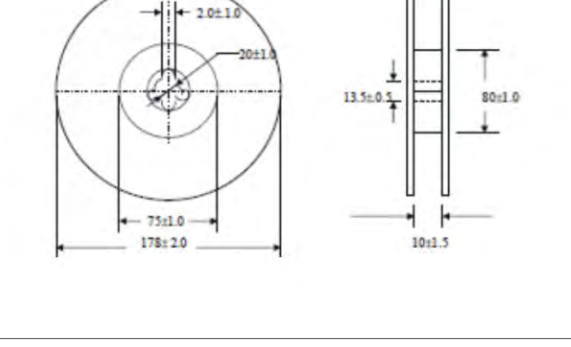
R1=R2=R3=R4=R5=R6=R7=R8



TYPE	NUMBER OF RESISTORS	A	B	C	D	E	F	G
	10P/8R	0.90±0.15	6.4±0.2	1.27±0.05	3.2±0.2	0.6±0.1	0.5±0.2	0.5±0.15

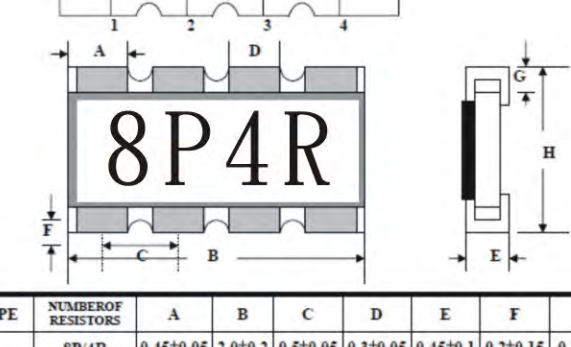
**TAPING SPECIFICATIONS**

**(1) Paper Taping**



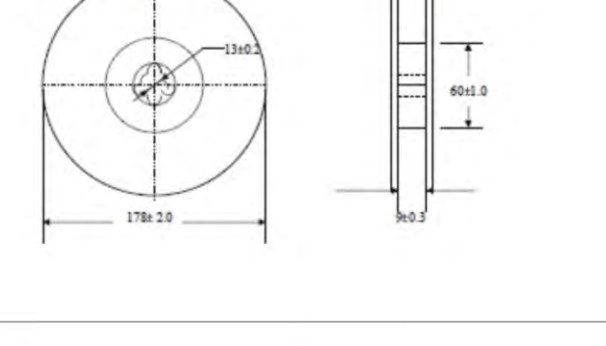
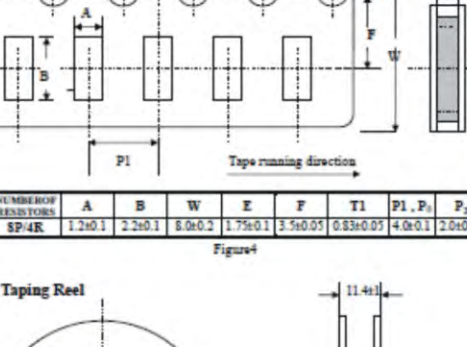
TYPE	NUMBER OF RESISTORS	A	B	W	E	F	T1	P1, P2	P3	D
	10P/8R	6.7±0.2	3.5±0.2	1.2±0.3	1.7±0.1	3.5±0.05	1.0±0.1	4.0±0.1	2.0±0.05	1.5±0.1

**(2) Taping Reel**



**DIMENSIONS (8Pin/4R)**

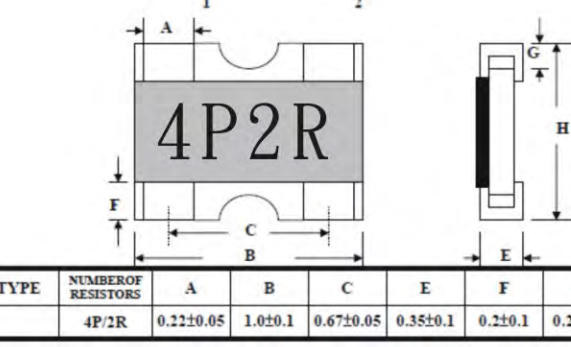
R1=R2=R3=R4



TYPE	NUMBER OF RESISTORS	A	B	C	D	E	F	G
	8P/4R	0.5±0.15	3.2±0.2	0.8±0.05	1.6±0.2	0.6±0.1	0.3±0.15	0.3±0.15

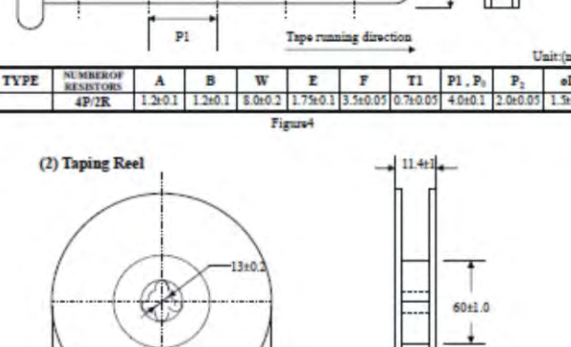
**TAPING SPECIFICATIONS**

**(1) Paper Taping**



TYPE	NUMBER OF RESISTORS	A	B	W	E	F	T1	P1, P2	P3	D
	8P/4R	3.6±0.1	2.0±0.1	8.0±0.2	1.7±0.1	3.5±0.05	0.7±0.1	4.0±0.1	2.0±0.05	1.5±0.1

**(2) Taping Reel (5,000PCS)**



**DIMENSIONS (8Pin/4R)**

R1=R2=R3=R4



TYPE	NUMBER OF RESISTORS	A	B	C	D	E	F	G	H
	8P/4R	0.45±0.05	2.0±0.2	0.5±0.05	0.3±0.05	0.45±0.1	0.2±0.15	0.3±0.1	1.0±0.2

**TAPING SPECIFICATIONS**

**(1) Paper Taping**



TYPE	NUMBER OF RESISTORS	A	B	W	E	F	T1	P1, P2	P3	eD
	8P/4R	1.2±0.1	2.2±0.1	8.0±0.3	1.7±0.1	3.5±0.05	0.8±0.05	4.0±0.1	2.0±0.05	1.5±0.1

**(2) Taping Reel**



**DIMENSIONS (4Pin/2R)**

R1=R2



TYPE	NUMBER OF RESISTORS	A	B	C	E	F	G	H
	4P/2R	0.22±0.05	1.0±0.1	0.67±0.05	0.35±0.1	0.2±0.1	0.25±0.1	1.0±0.1

**TAPING SPECIFICATIONS**

**(1) Paper Taping**



TYPE	NUMBER OF RESISTORS	A	B	W	E	F	T1	P1, P2	P3	eD
	4P/2R	1.2±0.1	1.2±0.1	8.0±0.3	1.7±0.1	3.5±0.05	0.7±0.05	4.0±0.1	2.0±0.05	1.5±0.1

**(2) Taping Reel**

