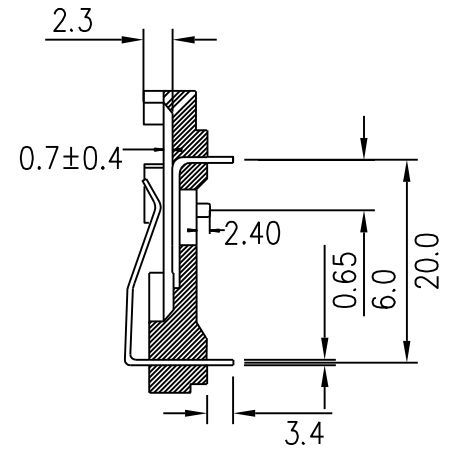
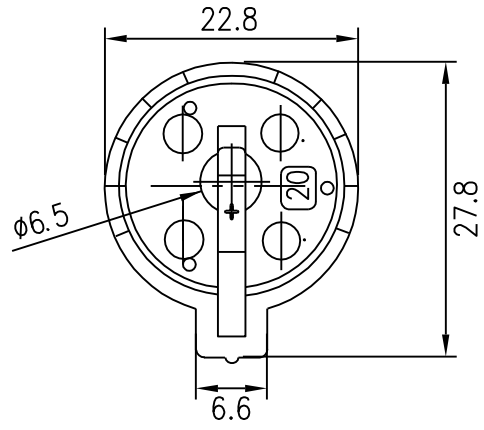


1 2 3 4 5 6 7

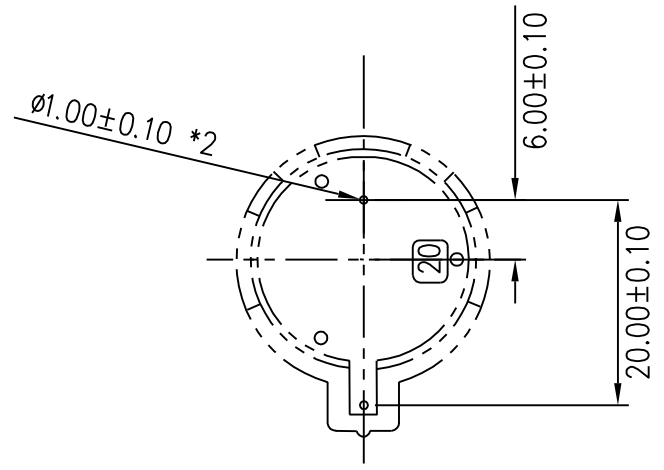
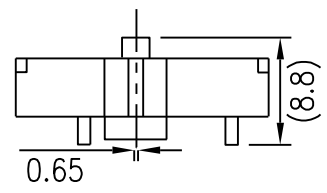
A



NOTES:
 1.MATERIALS:
 HOUSING-PBT 30%GF UL.94V-0.
 CONTACT-PHOSPHOR BRONZE.C5191R-H T=0.6MM
 2.FLASH:0.25mmMAX
 3.CAMBER:0.13mm MAX DEFORMATION:HA.
 WARO:0.13mm MAX TWIST:NA.
 4.ORDER INFORMAIOON:

B

C



Tolerance:±0.2

D

E

| | | | | | |
|------|-------|-------------------------------|-------|-----------------|---------|
| PROJ | | SCALE : F DO NOT SCALE DWG | | MOLD NO 4340-RP | |
| APP | | | MODEL | FILE NO | REV. X1 |
| CHK | CCJ | 90.06.09 | | | |
| DGN | WU | 90.06.09 | UNIT | | SIZE A4 |
| DRW | SHIEH | 90.06.09 | MM | SHT 1 OF 1 | |

1 2 3 4 5 6 7