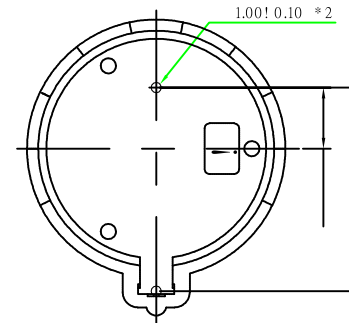


NOTES

1. MATERIALS:
HOUSING-PBT 30%GF UL94V-0.
CONTACT-PHOSPHOR BRONZE, C5191R-H T=0.6mm.
2. FLASH: 0.25mm MAX.
3. CAMBER: 0.13mm MAX. DEFORMATION: NA.
WARP: 0.13mm MAX. TWIST: NA.
4. ORDER INFORMATION:
4340-LR-2325-XX X X

BATTERY DIM.
01: D=19.8, T=3.2
02: D=22.8, T=3.2

PLATING:
1.TIN 100u" MIN OVER Ni 50u" MIN.
2.Ni 80u" MIN.
COLOR:
1.BLACK



RECOMMEND PCB LAYOUT
COMPONENT SIDE

Tolerance:±0.2

| PART NO | φA | B |
|-----------|------|------|
| PD25-01** | 22.8 | 27.8 |
| PD25-02** | 25.4 | 29.0 |

| | | | | | |
|------|-------|-------------------------------|--------------------|---------------|------------|
| PROJ | | SCALE : F DO NOT SCALE DWG | MOLD NO 4340-LR | | |
| APP | AMY | 98.05.11 | MODEL | FILE NO 圓形 | REV. X1 |
| CHK | CCJ | 90.09.06 | UNIT MM | SHT 1 OF 1 | SIZE A4 |
| DGN | AMY | 90.09.06 | | | |
| DRW | SHIEH | 90.09.06 | | | |