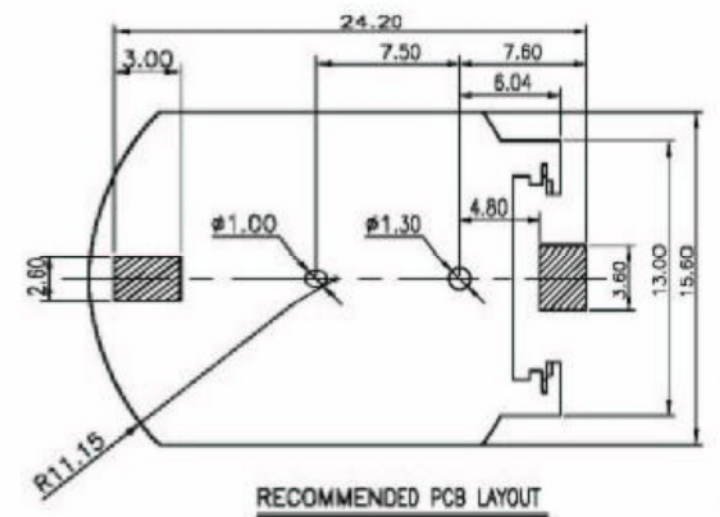
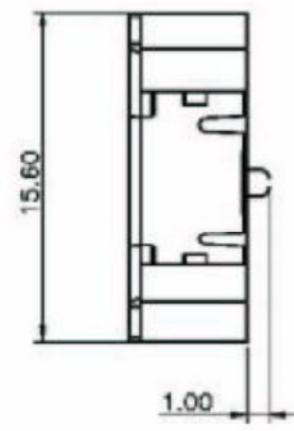
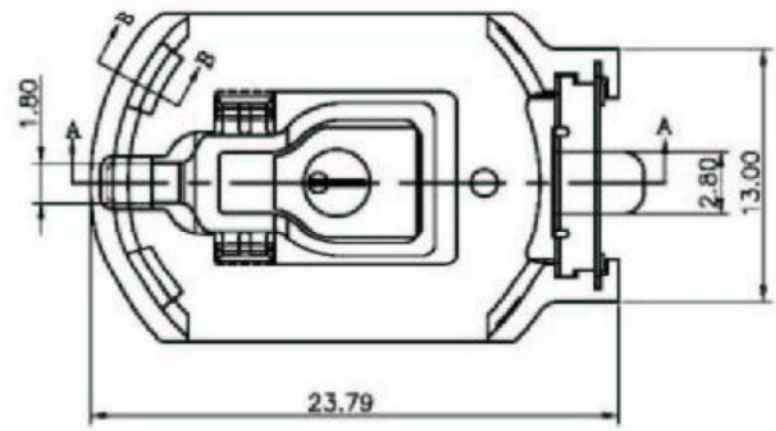
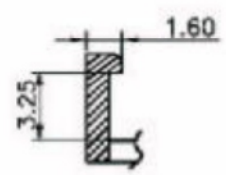
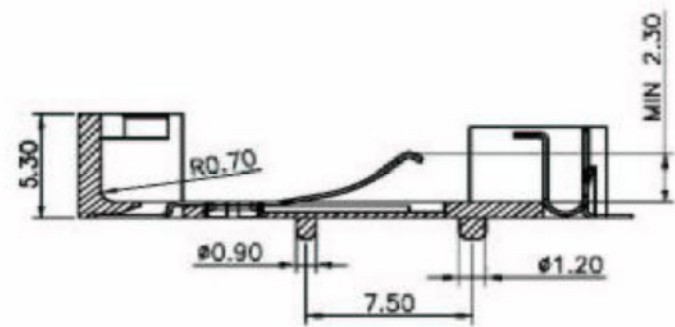


REV.	ECN NO. / DESCRIPTION	DATE
1	N070109	5/11/07



- NOTES:
1. DIMENSIONS ARE IN MILLIMETER
  2. MATERIAL:  
PLASTIC PART: PPS+30%G.F. BROWN.  
CONTACT: PHOSPHOR BRONZE
  3. FINISH:  
CONTACT: GOLD PLATED ALL OVER THE FACE
  4. ACCORDING TO THE ENVIRONMENTAL REQUIREMENT,  
WE GUARANTEE THE CONTROLLED HAZARDOUS SUBSTANCES  
MEET RoHS REQUIREMENT.



PPS+30%G.F. BROWN REEL
PPS+30%G.F. BROWN TRAY
HOUSING MATERIAL

GENERAL TOLERANCES UNLESS SPECIFIED		WITH POST							
X ±0.35	X* ±0.1*	APPROVE Amy Shen	TITLE BATTERY HOLDER FOR CR2032 SMT						
XX ±0.25	X* ±0.2*		CHECK James Chen	PART NO. 4340-HSJ1					
XXX ±0.15	XX* ±0.1*			DRAW Amy Shen					
		<table border="1"> <tr> <th>SHEET</th> <th>SCALE</th> <th>REV</th> </tr> <tr> <td>1/1</td> <td>3:1</td> <td>1</td> </tr> </table>		SHEET	SCALE	REV	1/1	3:1	1
SHEET	SCALE	REV							
1/1	3:1	1							