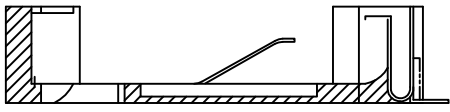
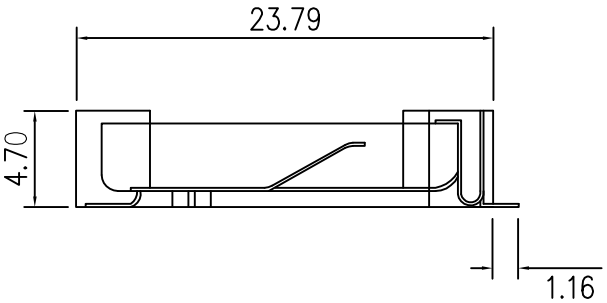


PCB LAYOUT

WITHOUT POST

MATERIAL
 Insulator:LCP
 Contact:Phospor Bronze
 Finish:Tin over Nickel

SPECIFICATION
 Voltage Rating:500V
 Current Rating:2A
 Contact Resistance:20M ohm
 Insulation Resistance:1000M ohm
 Ampient Temperature Range:-55 to 150°C
 Applicable:Battery CR2032



SECTION A-A

PROJ		SCALE : F DO NOT SCALE DWG	MOLD NO 4340-HSJ2		
APP	AMY	97.09.02	MODEL	FILE NO	REV.
CHK	CCJ	91.09.23	SMD	Battery Holder CR2032	X1
DGN	AMY	91.09.23	UNIT	SHT 1 OF 1	SIZE
DRW	SHIEH	91.09.23	MM		A4