

1 2 3 4 5 6 7 8

A

B

C

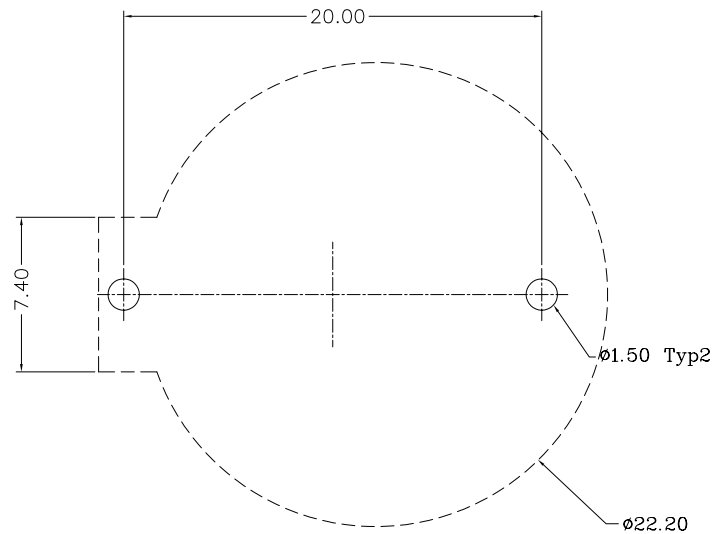
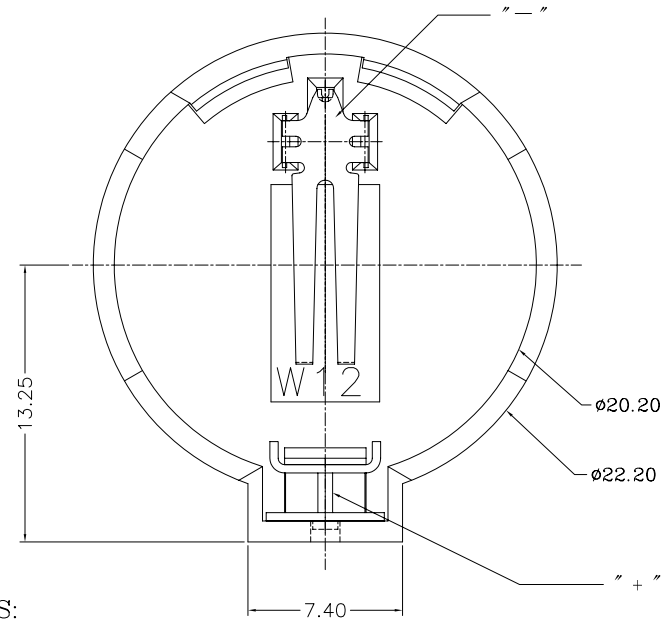
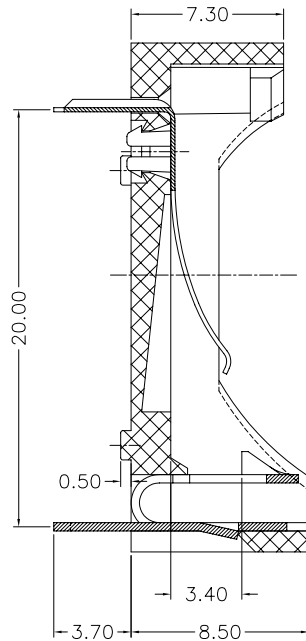
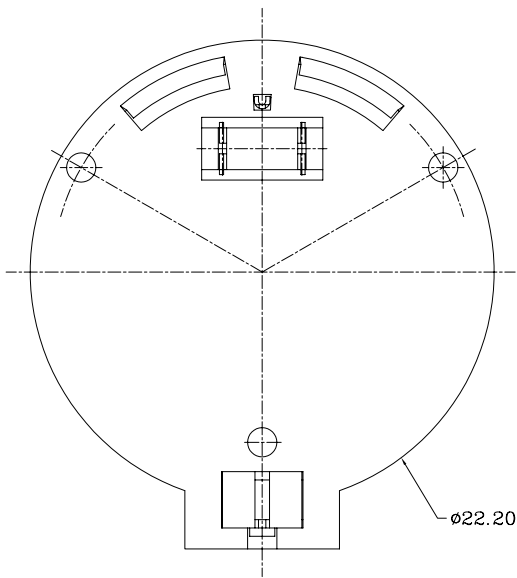
D

A

B

C

D



**NOTES:**

**\*Material**

Body:FR-Nylon With 33 % Glass  
Filld UL 94V-0 Rated.

Contact:Phosphor Bronze

**\*Finish**

Contact:Tin Plated Over Nickel or Copper.

**\*Specification**

Application For 3V Lithium Battery

Insulator Tor Resistance:5000 Megaohms Min

Operation Temperature:-55 C° To+105° C

Durability:50 Cycles Min

Contact Resistance:30 Milliohms.

**\*How to order: WBA-2-A-2-**

Series NO.

NO. Of Contacts

A:Standard

Blank:Sn Pb U:Lead Free

Blank:Black 2:Brown 3:White

2:Non-Post

REV	Units	mm	Scale	1:1	Drawing By	Data	S. T. Enterprise CO., LTD Taipei Taiwan R. O. C. <a href="mailto:smt@order168.com">smt@order168.com</a>				
					Reviewed By	Data	Date	Title	Battery Housing Standard Type		REV
					Approval By	Data	Sheet	1 of 1	F/Name		

P.C. BOARD LAYOUT

1 2 3 4 5 6 7 8