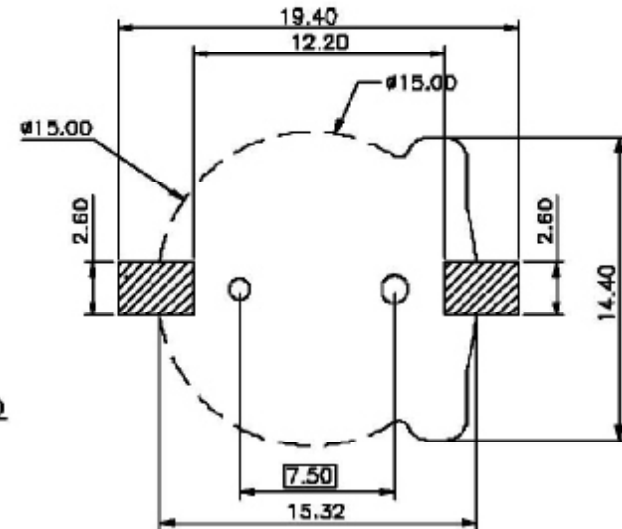
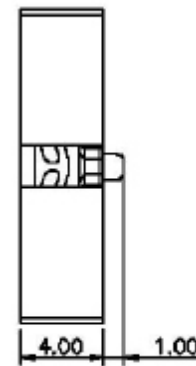


SECTION A-A



RECOMMENDED PCB LAYOUT

NOTES:

1. DIMENSIONS ARE IN MILLIMETERS
2. MATERIAL:  
 PLASTIC PART: PPS WITH 30% GLASS FIBER,  
 UL94V-0, BROWN;  
 CONTACT: COPPER ALLOY.
3. FINISH:  
 CONTACT: GOLD PLATED ALL OVER THE FACE
4. ACCORDING TO THE ENVIRONMENTAL REQUIREMENT, WARRANTY  
 THE CONTROLLED HAZARDOUS SUBSTANCE SHOULD BE  
 MEET ROHS'S SPECIFICATION.

GENERAL TOLERANCES UNLESS SPECIFIED				TITLE	
X ±0.25	X ±0.5			BATTERY HOLDER FOR CR1220 SMT TYPE	
XX ±0.25	X ±2			PART NO.	
XXX ±0.15	XX ±1			4340-R4	
		CHECK		PART NO.	
		James Chen 2009/02/05		4340-R4	
SIZE	UNITS	DRAW		SHEET	SCALE
A4	MM(DRCH)	AMY SIEN 2009/02/05		1/1	3:1
				REV	2