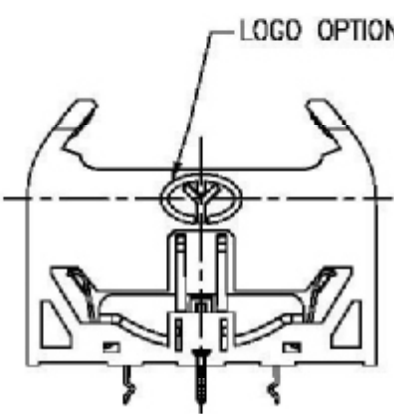
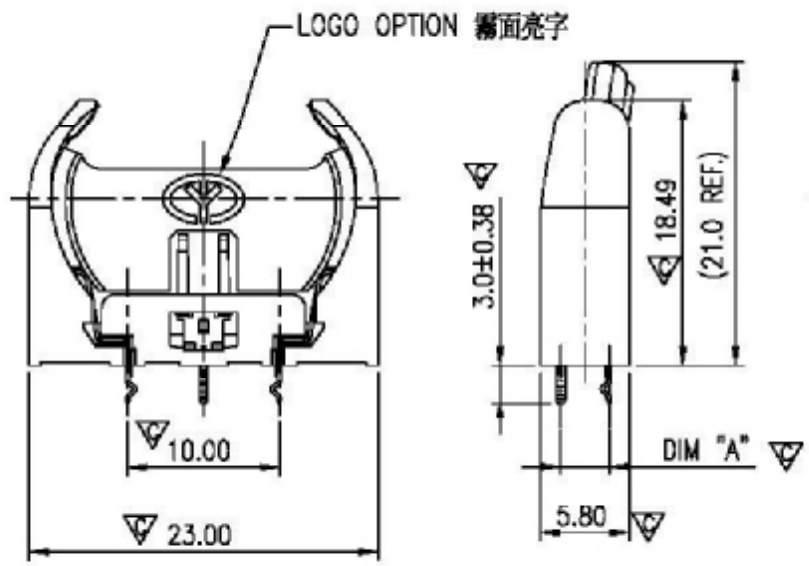




METRIC

THIS INFORMATION IS CONFIDENTIAL AND IS DISCLOSED TO YOU ON CONDITION THAT NO FURTHER DISCLOSURE IS MADE BY YOU TO OTHER THAN TOP YANG PERSONNEL WITHOUT WRITTEN AUTHORIZATION FROM TOP YANG LTD.

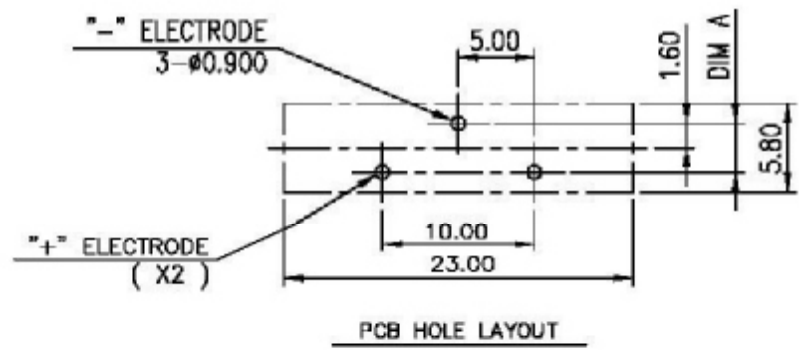


MATERIAL :
 BODY : NY66 + 30% GF.
 CONTACT : "+" ELECTRODE - SUS 304.
 "-" ELECTRODE - SUS 304.

FINISH:
 CONTACT: SN ONLY PLATED OVER 50μ" MIN.
 NICKEL UNDER-PLATING.

SPECIFICATION :
 APPLICATION : FOR 3V LITHIUM BATTERY (CR2032).
 OPERATION TEMPERATURE : -55°C TO +105°C.
 DURABILITY : 50 CYCLES.
 CONTACT RESISTANCE : 30mΩ MAX.

DIM "A"
3.2 MM
3.6 MM



3.2 MM	2718C BLUE
	BLACK
3.6 MM	2718C BLUE
	BLACK
DIM "A"	COLOR

				TOLERANCES UNLESS OTHERWISE SPECIFIED (MM)		Army Shen 2009-02-13			
X ±0.38		X ±0.15		CHK James Chen 2009-02-13					
3X ±0.25		X ±1		MATERIAL		UNITS		BATTERY HOLDER (10) CR 2032(RoHS)	
300X ±0.15				SEE NOTE		MM		SIZE A4	
				FINISH				DRAWING NO 4340-V	
AO NEW RELEASED		--		15-JAN 2007				REV A0	
LTR REVISION RECORD		ECH		DATE				SCALE 1:1	
								SHEET 1 OF 1	

8 | 7 | 6 | 5 | 4 | 3 | 2 | 1