

1 2 3 4 5 6 7

A

A

B

B

C

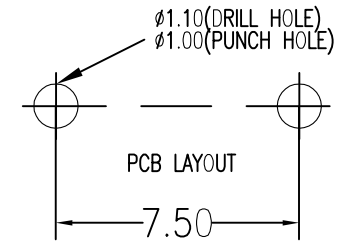
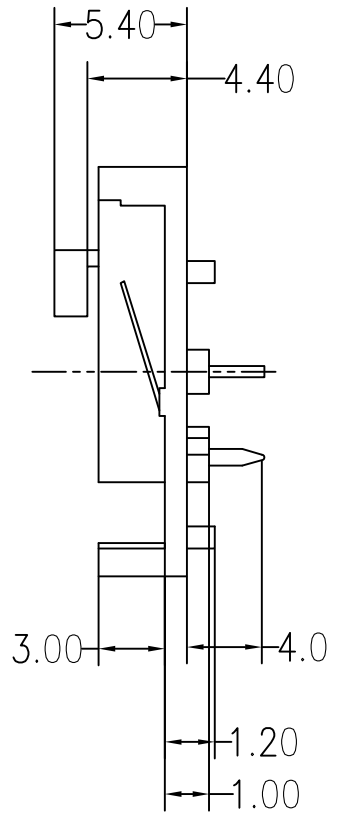
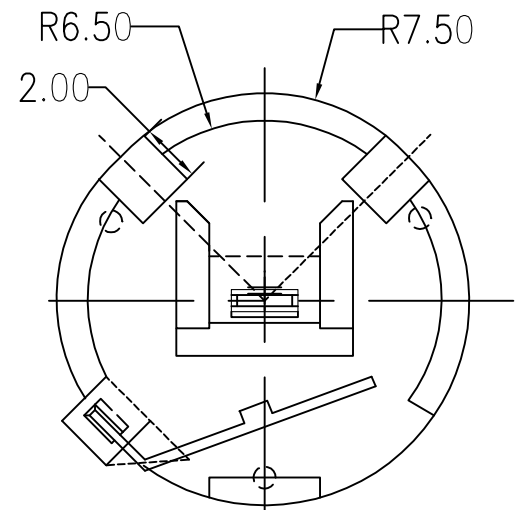
C

D

D

E

E



Note
 1.MATERIAL:HOUSING-PBT+30%G.F. UL94-V-0
 TERMINAL-PHOSPHOR BRONZE
 2.THIS TYPE JUST USED BATTERY'S DIM
 D=12.5MM T:2.00MM
 3.PLATING:Sn/Pb(90/10)100u"MIN
 OVER 50u"MIN NICKEL
 4.COLOR:BLACK

PROJ		SCALE : F DO NOT SCALE DWG	MOLD NO 4340-R1		
APP			MODEL	FILE NO	REV. X1
CHK	CCJ	93.05.15			
DGN	AMY	93.05.15	UNIT	SHT 1 OF 1	SIZE A4
DRW	SHIEH	93.05.15	MM		

1 2 3 4 5 6 7