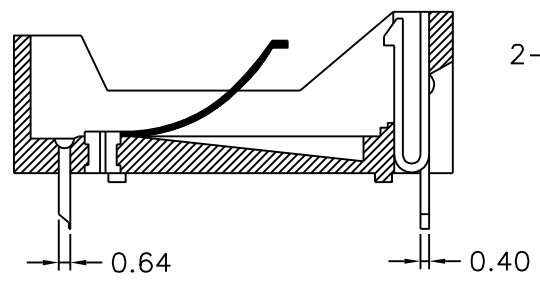


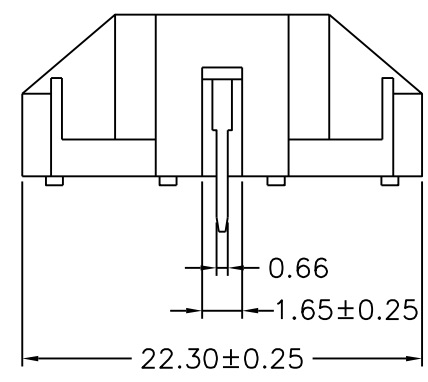
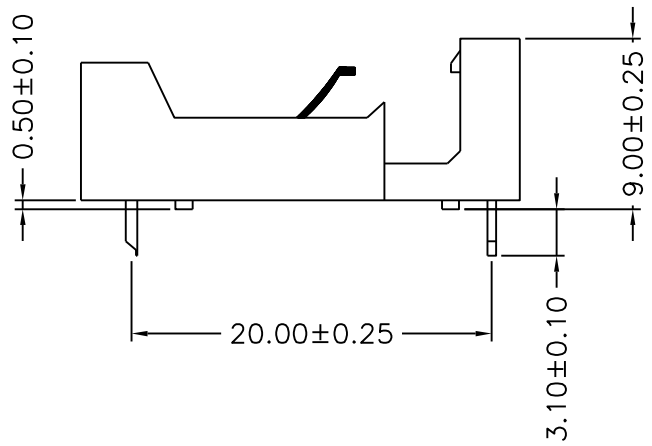
Tolerance: ±0.2

RECOMMENDED PC BOARD LAYOUT



SECTION A-A

Insulator Material: FR-NYLON With 15% Glass Filled
 Contact Resistance: 30M Ω MAX
 Insulator Resistance: 5000M Ω Min
 Temperature Rating: -55°C ~ +105°C
 Contact Material: Phosphor Bronze
 Contact: Tin Plated over copper
 Durability: 50 cycles Min
 Application for 3v Lithium Battery



PROJ	SCALE : F DO NOT SCALE DWG	MOLD NO 4340-W		
APP		MODEL	FILE NO	REV. X1
CHK	CCJ	89.10.25		
DGN	WU	89.10.25	UNIT	SIZE
DRW	SHIEH	89.10.25	MM	SHT 1 OF 1 A4