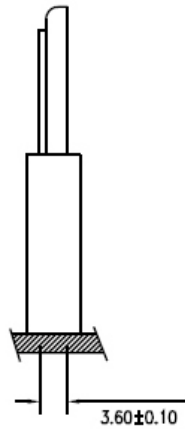
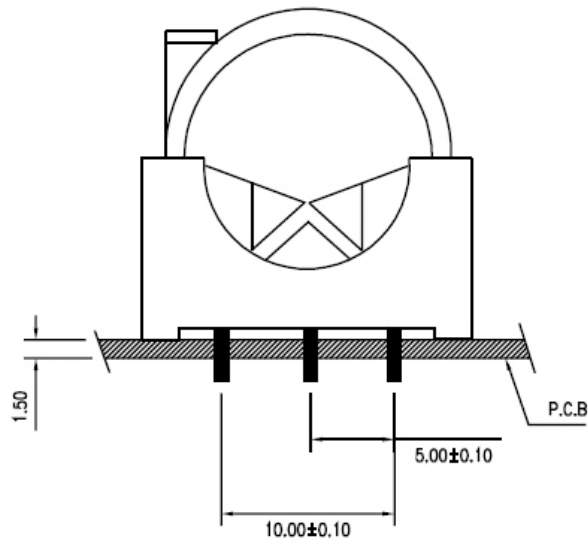
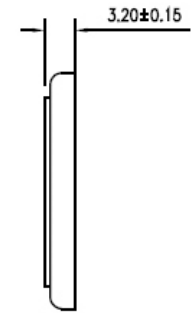
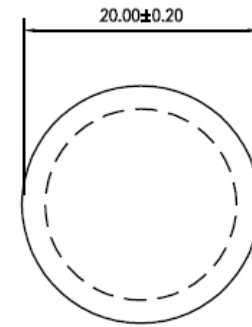


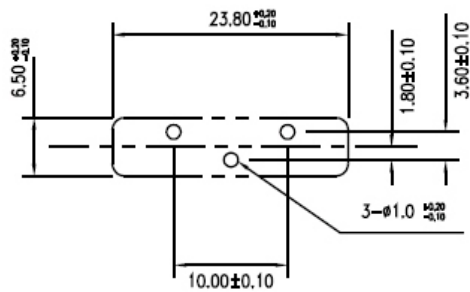
Recommendable P.C Battery Holder Layout  
Dimensions(mm)



Lithium Manganese Dioxide Battery Dimensions(mm)



SONY CR 3032



TOLERANCE UNLESS  
OTHERWISE SPECIFIED

mm: .0 = ±  
.00 = ±.30  
.000 = ±

inch: .000 = ±  
.0000 = ±

Ang: 0.0 = ±  
0.00 = ±

